



Reliable. Innovative. Dynamic.



HIGH PERFORMANCE IN EVERY CONDITION

HEATER HOSES - VACUUM HOSES - FUEL AND OIL HOSES

COOLING HOSES - SILICONE HOSES



READY TO GO WITH RAPRO

Reliable. Innovative. Dynamic.



Contents

| | |
|--------------|---|
| 4-5 | About Us |
| 6 | Heater Hoses R10300 |
| 7 | Vacuum Hoses R100100 |
| 8-13 | Fuel and Oil Hoses R10400 Textile Braided Fuel Hoses R10400X Textile Braided Fuel Hoses R10600 Textile Reinforced Fuel Hoses (DIN) R10600X Textile Reinforced Fuel Hoses (DIN) R10800 Textile Reinforced Fuel Hoses (SAE) R10900 Non-Reinforced Fuel Hoses |
| 14 | Hose Merchandiser |
| 15 | Packaging Types |
| 16-18 | Universal Cooling Hoses R10100 Elbow Hoses (EPDM) R10200 Straight Hoses (EPDM) |
| 19-21 | Universal Silicone Hoses What is Silicone Hoses R10000 Straight Hoses (Silicone) R10100/S Elbow Hoses (Silicone) |
| 22 | Basic Hose Construction |
| 23 | Hose Selection Tips |



Highest standards in hose production

In global market RAPRO is being preferred by many well known companies as a product supplier due to its high quality and customized services.

RAPRO's target is to create solutions for the global market by supplying the majority of the industry with the right product, at the right time, in the right place and with the right price. RAPRO remains committed to product development and customer satisfaction with the support of its industry professionals who are in constant research of the ever-changing market needs and developing solutions to satisfy its customers expectations.

Precision engineered. Quality assured.

RAPRO products are manufactured in accordance with the requirements of ISO, DIN and SAE standards. In spite of that, creating customized solutions and manufacturing regarding special customer specifications or standards are possible within a very short amount of period.

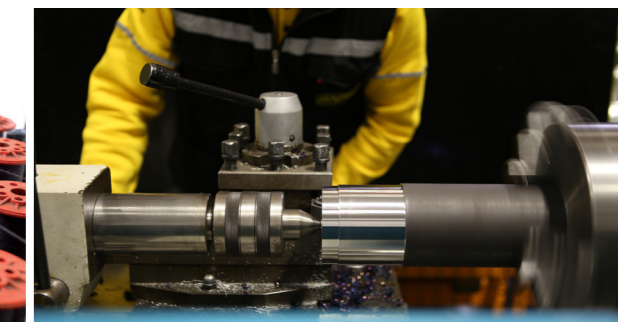
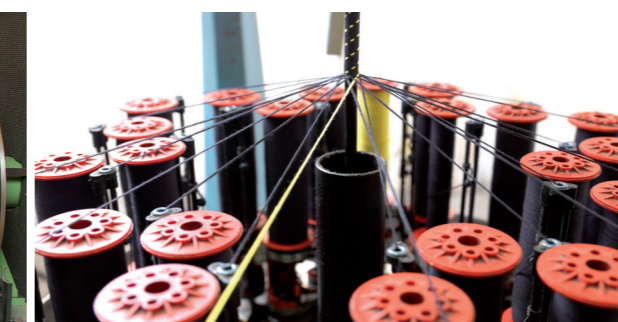


RAPRO has **ISO 9001:2015** Quality Management System and IATF **16949:2016** Automotive Quality Management System certificated by TUV NORD. And **OHSAS 18001:2007** Occupational Health And Safety Management System and **ISO 14001:2015** Environmental Management System certificated by BSI.



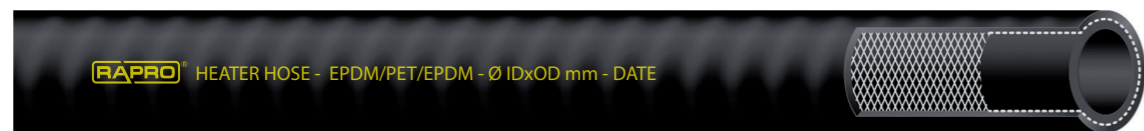
Production base for unparalleled product quality

The extensive extruder program comprises tailored solutions for your specific hose production providing efficient plastication of the rubber compound and thus uncompromising product quality combined with outstanding cost-effectiveness.



HEATER HOSES R10300

Designed for heater hose applications where resistance to antifreeze coolants and underhood temperatures are required. Ethylene propylene (EPDM) is the typical tube material because of its strong resistance to heat, hot water, and ethylene glycol, the most common antifreeze, textile reinforcement is applied, and the cover is EPDM.



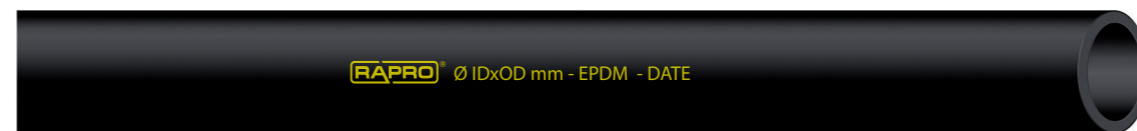
| | |
|---|---|
| Application General Purpose, Heater Systems | Temperature Range (-40 °C) - (+125 °C) |
| Standard SAE J20 R3 CLASS D1 | Material Tube: EPDM · Reinforcement: Polyester · Cover: EPDM |
| Resistance Tube / Cover: Hot Water, Ozone and Weather Conditions | Branding RAPRO HEATER HOSE - EPDM/PET/EPDM - Ø IDxOD mm - DATE |

| Part Number | Ø ID (mm) | Ø OD (mm) | WP max. (bar) | BP min. (bar) | Coil Length (mt) |
|-------------|-----------|-----------|---------------|---------------|------------------|
| | | | | | |
| R10306 | 6,00 | 13,00 | 8,50 | 17,20 | 50,00 |
| R10307 | 7,00 | 15,00 | 8,50 | 17,20 | 50,00 |
| R10308 | 8,00 | 15,00 | 8,50 | 17,20 | 50,00 |
| R10310/A | 10,00 | 16,00 | 8,50 | 17,20 | 50,00 |
| R10310 | 10,00 | 17,00 | 8,50 | 17,20 | 50,00 |
| R10310/B | 10,00 | 18,00 | 8,50 | 17,20 | 50,00 |
| R10310/C | 10,00 | 19,00 | 8,50 | 17,20 | 50,00 |
| R10312 | 12,00 | 19,00 | 8,50 | 17,20 | 50,00 |
| R10312/A | 12,00 | 20,00 | 8,50 | 17,20 | 50,00 |
| R10313 | 13,00 | 20,00 | 8,50 | 17,20 | 50,00 |
| R10314 | 14,00 | 21,00 | 8,50 | 17,20 | 50,00 |
| R10314/B | 14,00 | 22,00 | 8,50 | 17,20 | 50,00 |
| R10315 | 15,00 | 22,00 | 8,50 | 17,20 | 50,00 |
| R10316/B | 16,00 | 22,00 | 8,50 | 17,20 | 50,00 |
| R10316/A | 16,00 | 23,00 | 6,50 | 13,80 | 50,00 |
| R10316 | 16,00 | 24,00 | 6,50 | 13,80 | 50,00 |
| R10317 | 17,00 | 25,00 | 6,50 | 13,80 | 50,00 |
| R10318 | 18,00 | 26,00 | 6,50 | 13,80 | 50,00 |
| R10319/A | 19,00 | 25,00 | 6,50 | 13,80 | 20,00 |
| R10319 | 19,00 | 27,00 | 6,50 | 13,80 | 50,00 |
| R10322 | 22,00 | 30,00 | 6,50 | 13,80 | 50,00 |

Caution: Not suitable for Oil, Fuel or Brake Fluid applications.

VACUUM HOSES R100100

A light duty hose specifically designed for power brake vacuum applications on cars and light-duty trucks. Ethylene propylene (EPDM) is the typical tube material because of its strong resistance to heat, hot water, and ethylene glycol, the most common antifreeze.



| | |
|---|---|
| Application For water, air and windshield washer applications | Temperature Range (-40 °C) - (+125 °C) |
| Standard SAE J200 CA710 | Material Tube: EPDM |
| Resistance Tube: Water, Ozone and Weather Conditions | Branding RAPRO Ø IDxOD mm - EPDM - DATE |

| Part Number | Ø ID (mm) | Ø OD (mm) | WP max. (bar) | BP min. (bar) | Reel Length (mt) |
|-------------|-----------|-----------|---------------|---------------|------------------|
| | | | | | |
| R100103 | 3,00 | 6,00 | 5,00 | 17,00 | 25,00 |
| R100104 | 4,00 | 7,00 | 5,00 | 17,00 | 25,00 |
| R100104/A | 4,00 | 10,00 | 5,00 | 18,00 | 25,00 |
| R100105 | 5,00 | 9,50 | 4,00 | 16,00 | 25,00 |
| R100106 | 6,00 | 11,00 | 4,00 | 16,00 | 25,00 |

Caution: Not suitable for Brake Fluid Applications.

FUEL AND OIL HOSES | R10400

Textile Braided Fuel Hoses

This type of automotive fuel hose features oil-resistant tube of NBR, for strong pressure resistance this hose is braided with cotton yarn.



| | |
|--|--|
| Application Leaded, Unleaded and Diesel Fuel | Temperature Range (- 30 °C) - (+ 110 °C) |
| Standard DIN 73379-B:1984 | Material Tube: NBR · Cover: Cotton |
| Resistance Tube: Leaded, Unleaded and Diesel Fuel | Branding - |

| Part Number | Ø ID (mm) | Ø OD (mm) | WP max. (bar) | BP min. (bar) | Reel Length (mt) |
|-------------|-----------|-----------|---------------|---------------|------------------|
| | | | | | |
| R10428 | 2,80 | 7,00 | 10,00 | 50,00 | 25,00 |
| R10403 | 3,00 | 7,00 | 10,00 | 50,00 | 25,00 |
| R10432 | 3,20 | 7,00 | 10,00 | 50,00 | 25,00 |
| R10432/A | 3,20 | 8,00 | 10,00 | 50,00 | 25,00 |
| R10404/A | 4,00 | 8,00 | 10,00 | 50,00 | 25,00 |
| R10404 | 4,00 | 9,00 | 10,00 | 50,00 | 25,00 |
| R10445 | 4,50 | 9,50 | 10,00 | 50,00 | 25,00 |
| R10405 | 5,00 | 10,00 | 10,00 | 50,00 | 25,00 |
| R10405/A | 5,00 | 12,00 | 10,00 | 50,00 | 25,00 |
| R10455 | 5,50 | 10,00 | 10,00 | 50,00 | 25,00 |
| R10455/A | 5,50 | 10,50 | 10,00 | 50,00 | 25,00 |
| R10406 | 6,00 | 11,00 | 10,00 | 50,00 | 15,00 |
| R10406/A | 6,00 | 13,00 | 10,00 | 50,00 | 15,00 |
| R10407/A | 7,00 | 11,00 | 10,00 | 50,00 | 15,00 |
| R10407/B | 7,00 | 12,00 | 10,00 | 50,00 | 15,00 |
| R10407 | 7,00 | 13,00 | 10,00 | 50,00 | 15,00 |
| R10475/B | 7,50 | 12,50 | 10,00 | 50,00 | 15,00 |
| R10475 | 7,50 | 13,50 | 10,00 | 50,00 | 15,00 |
| R10475/A | 7,50 | 14,50 | 10,00 | 50,00 | 15,00 |
| R10408/B | 8,00 | 13,00 | 10,00 | 50,00 | 15,00 |
| R10408 | 8,00 | 14,00 | 10,00 | 50,00 | 15,00 |
| R10409/A | 9,00 | 15,00 | 10,00 | 50,00 | 10,00 |
| R10409 | 9,00 | 17,00 | 10,00 | 50,00 | 10,00 |
| R10495/A | 9,50 | 14,50 | 10,00 | 50,00 | 10,00 |
| R10495 | 9,50 | 17,70 | 10,00 | 50,00 | 10,00 |
| R10410/B | 10,00 | 15,00 | 10,00 | 50,00 | 10,00 |
| R10410 | 10,00 | 16,00 | 10,00 | 50,00 | 10,00 |
| R10410/A | 10,00 | 17,00 | 10,00 | 50,00 | 10,00 |
| R10411 | 11,00 | 17,00 | 8,00 | 40,00 | 10,00 |
| R10412 | 12,00 | 19,00 | 8,00 | 40,00 | 10,00 |
| R10413 | 13,00 | 20,00 | 8,00 | 40,00 | 10,00 |
| R10414 | 14,00 | 21,00 | 8,00 | 40,00 | 8,00 |

Caution: Not suitable for Alcohol Fuels, Coolant or Brake Fluid applications.
Fuel Hoses should be shielded and routed away from Exhaust Manifolds/Pipes.

FUEL AND OIL HOSES | R10400

Textile Braided Fuel Hoses

This type of automotive fuel hose features oil-resistant tube of NBR, for strong pressure resistance this hose is braided with cotton yarn.



| | |
|--|--|
| Application Leaded, Unleaded and Diesel Fuel | Temperature Range (- 30 °C) - (+ 110 °C) |
| Standard DIN 73379-B:1984 | Material Tube: NBR · Cover: Cotton |
| Resistance Tube: Leaded, Unleaded and Diesel Fuel | Branding - |

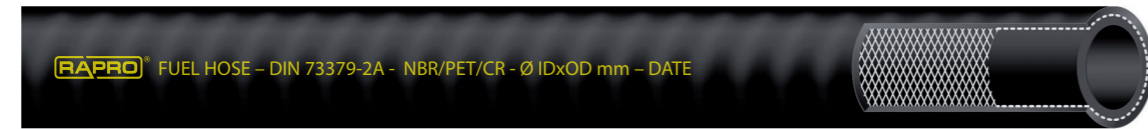
| Part Number | Ø ID (mm) | Ø OD (mm) | WP max. (bar) | BP min. (bar) | Reel Length (mt) |
|-------------|-----------|-----------|---------------|---------------|------------------|
| | | | | | |
| R10432X | 3,20 | 7,00 | 10,00 | 50,00 | 25,00 |
| R10404X | 4,00 | 9,00 | 10,00 | 50,00 | 25,00 |
| R10406X | 6,00 | 11,00 | 10,00 | 50,00 | 20,00 |
| R10407X | 7,00 | 13,00 | 10,00 | 50,00 | 15,00 |
| R10475X | 7,50 | 13,50 | 10,00 | 50,00 | 15,00 |
| R10408X | 8,00 | 14,00 | 10,00 | 50,00 | 15,00 |

Caution: Not suitable for Alcohol Fuels, Coolant or Brake Fluid applications.
Fuel Hoses should be shielded and routed away from Exhaust Manifolds/Pipes.

FUEL AND OIL HOSES R10600

Textile Reinforced Fuel Hoses (DIN)

This type of automotive & marine fuel hose features oil-resistant tube of NBR, reinforcement is typically a synthetic textile (polyester) yarn with high tensile strength. The cover is made of oil-resistant CR.



| | |
|---|---|
| Application Leaded, Unleaded and Diesel Fuel | Temperature Range (- 30 °C) - (+ 110 °C) |
| Standard SAE J30 R7 | Material Tube: NBR · Reinforcement: Polyester · Cover: NBR-PVC |
| Resistance Tube: Leaded, Unleaded and Diesel Fuel · Cover: Oil, Heat, Ozone | Branding RAPRO FUEL HOSE – DIN 73379-2A - NBR/PET/CR - Ø IDxOD mm – DATE |

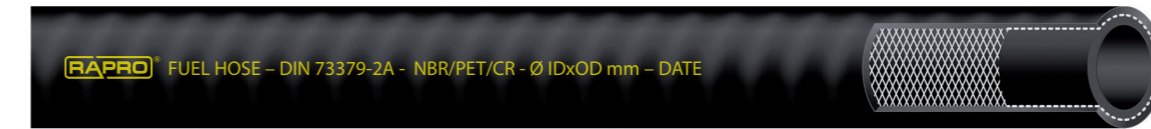
| Part Number | Ø ID (mm) | Ø OD (mm) | WP max. (bar) | BP min. (bar) | Reel Length (mt) |
|-------------|-----------|-----------|---------------|---------------|------------------|
| | | | | | |
| R10603 | 3,00 | 8,00 | 10,00 | 50,00 | 25,00 |
| R10632/A | 3,20 | 8,00 | 10,00 | 50,00 | 25,00 |
| R10632 | 3,20 | 9,00 | 10,00 | 50,00 | 25,00 |
| R10604/A | 4,00 | 9,00 | 10,00 | 50,00 | 25,00 |
| R10604 | 4,00 | 10,00 | 10,00 | 50,00 | 25,00 |
| R10645 | 4,50 | 10,50 | 10,00 | 50,00 | 25,00 |
| R10605 | 5,00 | 11,00 | 10,00 | 50,00 | 25,00 |
| R10655 | 5,50 | 11,50 | 10,00 | 50,00 | 25,00 |
| R10606 | 6,00 | 12,00 | 10,00 | 50,00 | 15,00 |
| R10607 | 7,00 | 13,00 | 10,00 | 50,00 | 15,00 |
| R10675/A | 7,50 | 13,00 | 10,00 | 50,00 | 15,00 |
| R10675 | 7,50 | 13,50 | 10,00 | 50,00 | 15,00 |
| R10608 | 8,00 | 15,00 | 10,00 | 50,00 | 15,00 |
| R10608/A | 8,00 | 14,00 | 10,00 | 50,00 | 15,00 |
| R10609 | 9,00 | 15,00 | 10,00 | 50,00 | 10,00 |
| R10610 | 10,00 | 17,00 | 10,00 | 50,00 | 10,00 |
| R10610/A | 10,00 | 16,00 | 10,00 | 50,00 | 10,00 |
| R10611 | 11,00 | 17,00 | 10,00 | 50,00 | 10,00 |
| R10612 | 12,00 | 19,00 | 10,00 | 50,00 | 10,00 |
| R10613 | 13,00 | 20,00 | 10,00 | 50,00 | 10,00 |
| R10613/A | 13,00 | 22,00 | 10,00 | 50,00 | 10,00 |

Caution: Not suitable for Alcohol Fuels, Coolant or Brake Fluid applications. Fuel Hoses should be shielded and routed away from Exhaust Manifolds/Pipes.

FUEL AND OIL HOSES R10600

Textile Reinforced Fuel Hoses (DIN)

This type of automotive & marine fuel hose features oil-resistant tube of NBR, reinforcement is typically a synthetic textile (polyester) yarn with high tensile strength. The cover is made of oil-resistant CR.



| | |
|---|--|
| Application Leaded, Unleaded and Diesel Fuel | Temperature Range (- 30 °C) - (+ 110 °C) |
| Standard DIN 73379-2A | Material Tube: NBR · Reinforcement: Polyester · Cover: CR |
| Resistance Tube: Leaded, Unleaded and Diesel Fuel · Cover: Oil, Heat, Ozone | Branding RAPRO FUEL HOSE – DIN 73379-2A - NBR/PET/CR - Ø IDxOD mm – DATE |

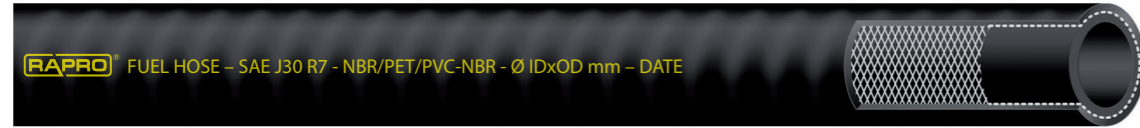
| Part Number | Ø ID (mm) | Ø OD (mm) | WP max. (bar) | BP min. (bar) | Reel Length (mt) |
|-------------|-----------|-----------|---------------|---------------|------------------|
| | | | | | |
| R10603X | 3,00 | 8,00 | 10,00 | 50,00 | 25,00 |
| R10632/A/X | 3,20 | 8,00 | 10,00 | 50,00 | 25,00 |
| R10604/A/X | 4,00 | 9,00 | 10,00 | 50,00 | 25,00 |
| R10604/B/X | 4,00 | 9,50 | 10,00 | 50,00 | 25,00 |
| R10605X | 5,00 | 11,00 | 10,00 | 50,00 | 25,00 |
| R10606X | 6,00 | 12,00 | 10,00 | 50,00 | 20,00 |
| R10607X | 7,00 | 13,00 | 10,00 | 50,00 | 15,00 |
| R10675X | 7,50 | 13,50 | 10,00 | 50,00 | 15,00 |
| R10675/B/X | 7,50 | 14,50 | 10,00 | 50,00 | 15,00 |
| R10608/A/X | 8,00 | 14,00 | 10,00 | 50,00 | 15,00 |
| R10610X | 10,00 | 17,00 | 10,00 | 50,00 | 10,00 |
| R10610/A/X | 10,00 | 16,00 | 10,00 | 50,00 | 10,00 |
| R10612X | 12,00 | 19,00 | 10,00 | 50,00 | 0,00 |

Caution: Not suitable for Alcohol Fuels, Coolant or Brake Fluid applications. Fuel Hoses should be shielded and routed away from Exhaust Manifolds/Pipes.

FUEL AND OIL HOSES R10800

Textile Reinforced Fuel Hoses (SAE)

This type of automotive fuel hose features oil-resistant tube of NBR, reinforcement is typically a synthetic textile (polyester) yarn with high tensile strength. The cover is made of NBR compounded with polyvinyl chloride, PVC.



| | |
|---|---|
| Application Leaded, Unleaded and Diesel Fuel | Temperature Range (-30 °C) - (+125 °C) |
| Standard SAE J30 R7 | Material Tube: NBR · Reinforcement: Polyester · Cover: NBR-PVC |
| Resistance Tube: Leaded, Unleaded and Diesel Fuel · Cover: Oil, Heat, Ozone | Branding RAPRO FUEL HOSE – SAE J30 R7 - NBR/PET/PVC-NBR - Ø IDxOD mm – DATE |

| Part Number | Ø ID (mm) | Ø OD (mm) | WP max. (bar) | BP min. (bar) | Reel Length (mt) |
|-------------|-----------|-----------|---------------|---------------|------------------|
| R10803 | 3,00 | 8,00 | 3,40 | 17,20 | 25,00 |
| R10832/A | 3,20 | 8,50 | 3,40 | 17,20 | 25,00 |
| R10832 | 3,20 | 9,00 | 3,40 | 17,20 | 25,00 |
| R10804 | 4,00 | 10,00 | 3,40 | 17,20 | 25,00 |
| R10804/A | 4,00 | 9,00 | 3,40 | 17,20 | 25,00 |
| R10805/A | 5,00 | 10,00 | 3,40 | 17,20 | 25,00 |
| R10805 | 5,00 | 11,00 | 3,40 | 17,20 | 25,00 |
| R10855 | 5,50 | 11,50 | 3,40 | 17,20 | 25,00 |
| R10806/A | 6,00 | 13,00 | 3,40 | 17,20 | 15,00 |
| R10806 | 6,00 | 12,00 | 3,40 | 17,20 | 15,00 |
| R10807 | 7,00 | 13,00 | 3,40 | 17,20 | 15,00 |
| R10875 | 7,50 | 13,50 | 3,40 | 17,20 | 15,00 |
| R10875/A | 7,50 | 14,50 | 3,40 | 17,20 | 15,00 |
| R10808 | 8,00 | 14,00 | 3,40 | 17,20 | 15,00 |
| R10808/A | 8,00 | 15,00 | 3,40 | 17,20 | 15,00 |
| R10809 | 9,00 | 15,00 | 3,40 | 17,20 | 10,00 |
| R10810/A | 10,00 | 16,00 | 3,40 | 17,20 | 10,00 |
| R10810 | 10,00 | 17,00 | 2,40 | 12,00 | 10,00 |
| R10812 | 12,00 | 19,00 | 2,40 | 12,00 | 10,00 |
| R10815 | 15,00 | 22,00 | 2,40 | 12,00 | 10,00 |
| R10816 | 16,00 | 25,00 | 2,40 | 12,00 | 8,00 |
| R10818 | 18,00 | 25,00 | 2,40 | 12,00 | 8,00 |

Caution: Not suitable for Alcohol Fuels, Coolant or Brake Fluid applications. Fuel Hoses should be shielded and routed away from Exhaust Manifolds/Pipes.

FUEL AND OIL HOSES R10900

Non-Reinforced Fuel Hoses

This type of fuel hose features oil-resistant tube of NBR compounded with polyvinyl chloride, PVC. It does not have any reinforcement or cover, can be immersed inside the fuel tank.



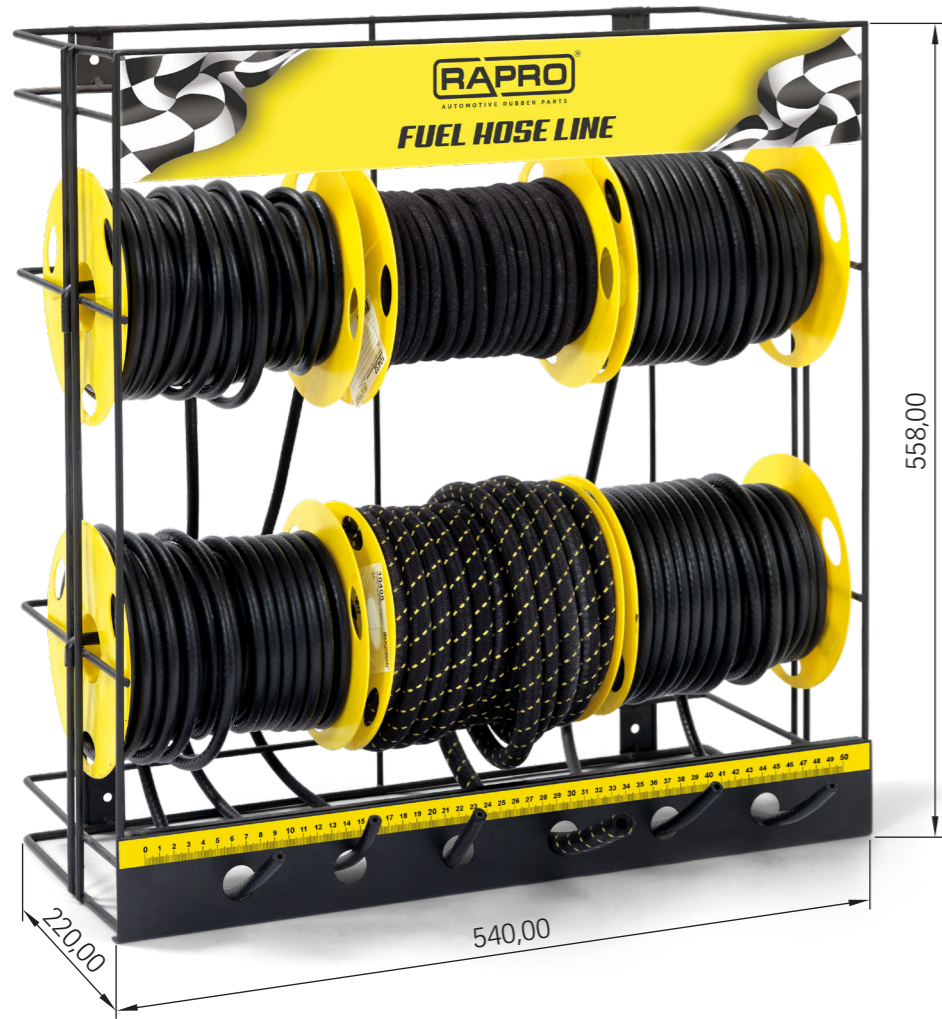
| | |
|---|--|
| Application Leaded, Unleaded and Diesel Fuel | Temperature Range (-30 °C) - (+125 °C) |
| Standard SAE J200 BK810 | Material Tube: NBR-PVC |
| Resistance Tube: Leaded, Unleaded and Diesel Fuel, Heat, Ozone | Branding RAPRO FUEL HOSE - PVC-NBR - Ø IDxOD mm - DATE |

| Part Number | Ø ID (mm) | Ø OD (mm) | WP max. (bar) | BP min. (bar) | Reel Length (mt) |
|-------------|-----------|-----------|---------------|---------------|------------------|
| R10903 | 3,00 | 7,00 | - | - | 50,00 |
| R10932 | 3,20 | 7,00 | - | - | 25,00 |
| R10935 | 3,50 | 7,50 | - | - | 50,00 |
| R10904/B | 4,00 | 7,00 | - | - | 25,00 |
| R10904/A | 4,00 | 8,00 | - | - | 25,00 |
| R10904 | 4,00 | 9,00 | - | - | 25,00 |
| R10905 | 5,00 | 11,00 | - | - | 25,00 |
| R10905/A | 5,00 | 13,00 | - | - | 15,00 |
| R10955 | 5,50 | 10,50 | - | - | 25,00 |
| R10906 | 6,00 | 12,00 | - | - | 15,00 |
| R10907 | 7,00 | 13,00 | - | - | 15,00 |
| R10908 | 8,00 | 12,00 | - | - | 15,00 |

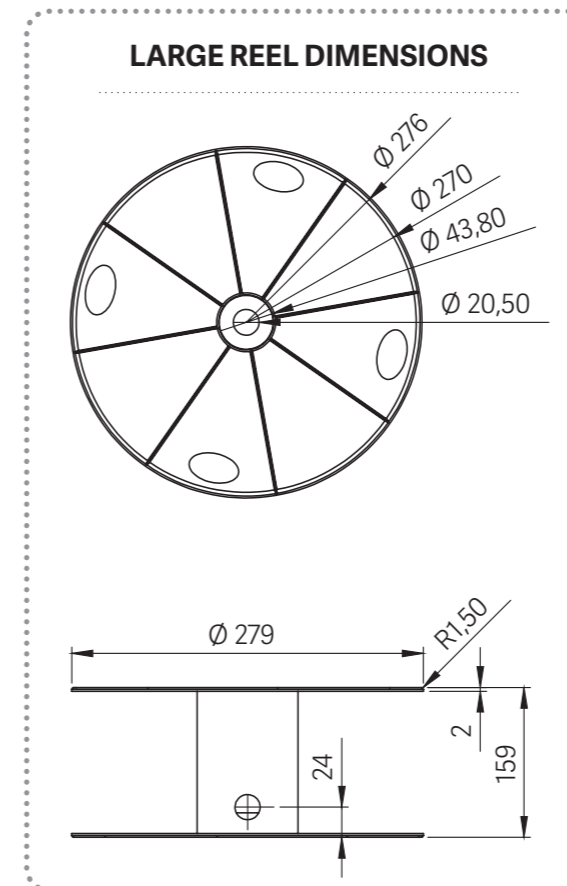
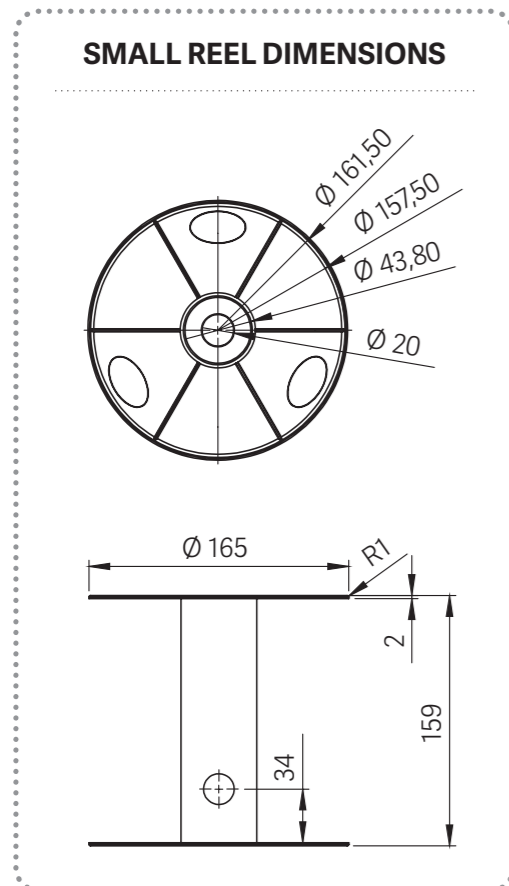
Caution: Not suitable for Alcohol Fuels, Coolant or Brake Fluid applications. Fuel Hoses should be shielded and routed away from Exhaust Manifolds/Pipes.

HOSE MERCHANDISER

PACKAGING TYPES



RAPRO Hose merchandiser has a small footprint but delivers big benefits. It is designed to better organize and dispense fuel line hose, windshield washer tubing and fuel injection hoses.

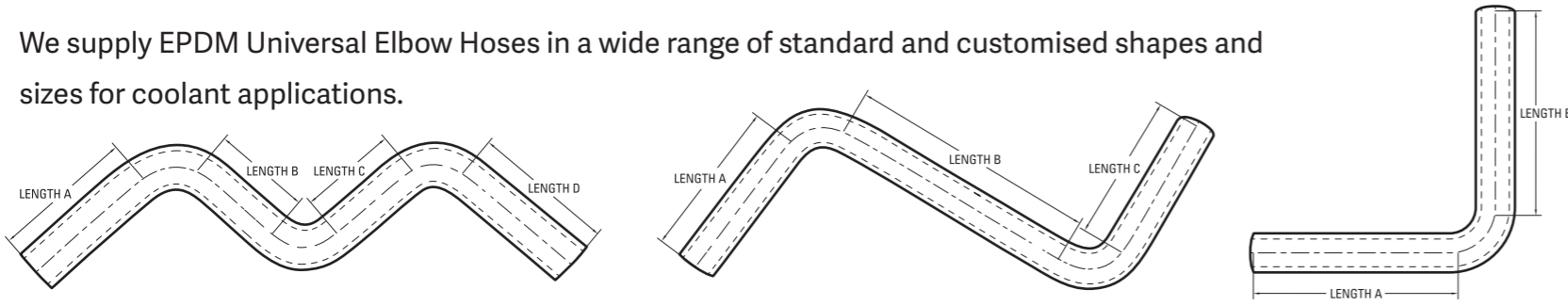


Embossed trademark



ELBOW HOSES (EPDM) R10100

We supply EPDM Universal Elbow Hoses in a wide range of standard and customised shapes and sizes for coolant applications.



| | |
|---|---|
| Application General Purpose Cooling | Temperature Range (- 40 °C) - (+ 125 °C) |
| Standard SAE J20 R4 D1 | Material EPDM / PET / EPDM or EPDM / AR / EPDM - *ONLY EPDM w/o Reinforcement |
| Resistance Ozone, UV, Glycol, Water and Air | Branding RAPRO - EPDM / PET / EPDM - DATE |

| Part Number | Ø ID (mm) | Ø OD (mm) | Bend Quantity | Lenght A (mm) | Lenght B (mm) | Lenght C (mm) | Lenght D (mm) | WP max. (bar) | BP min. (bar) |
|-------------|-----------|-----------|---------------|---------------|---------------|---------------|---------------|---------------|---------------|
| R10110 | 10,00 | 17,00 | 1 | 150,00 | 150,00 | | | 4,00 | 12,40 |
| R10112 | 12,00 | 19,00 | 1 | 150,00 | 150,00 | | | 4,00 | 12,40 |
| R10113/B | 13,00 | 20,00 | 1 | 100,00 | 200,00 | | | 4,00 | 11,70 |
| R10113 | 13,00 | 20,00 | 1 | 150,00 | 150,00 | | | 4,00 | 11,70 |
| R10113/A | 13,00 | 20,00 | 1 | 200,00 | 200,00 | | | 4,00 | 11,70 |
| R10115 | 15,00 | 22,00 | 1 | 150,00 | 150,00 | | | 4,00 | 11,70 |
| R10116/A | 16,00 | 23,00 | 1 | 90,00 | 90,00 | | | 4,00 | 11,00 |
| R10116/F | 16,00 | 23,00 | 1 | 100,00 | 200,00 | | | 4,00 | 11,00 |
| R10116/G | 16,00 | 23,00 | 2 | 110,00 | 220,00 | 110,00 | | 4,00 | 11,00 |
| R10116/H | 16,00 | 23,00 | 3 | 110,00 | 110,00 | 110,00 | 110,00 | 4,00 | 11,00 |
| R10116 | 16,00 | 23,00 | 1 | 150,00 | 150,00 | | | 4,00 | 11,00 |
| R10116/E | 16,00 | 24,00 | 3 | 80,00 | 130,00 | 130,00 | 80,00 | 4,00 | 11,00 |
| R10116/B | 16,00 | 24,00 | 1 | 90,00 | 150,00 | | | 4,00 | 11,00 |
| R10116/C | 16,00 | 24,00 | 1 | 100,00 | 200,00 | | | 4,00 | 11,00 |
| R10116/D | 16,00 | 24,00 | 2 | 100,00 | 200,00 | 100,00 | | 4,00 | 11,00 |
| R10118 | 18,00 | 27,00 | 1 | 150,00 | 150,00 | | | 4,00 | 11,00 |
| R10118/A | 18,00 | 26,00 | 1 | 137,00 | 100,00 | | | 4,00 | 11,00 |
| R10119/D | 19,00 | 26,00 | 3 | 80,00 | 130,00 | 130,00 | 80,00 | 4,00 | 10,30 |
| R10119/B | 19,00 | 26,00 | 1 | 100,00 | 200,00 | | | 4,00 | 10,30 |
| R10119/C | 19,00 | 26,00 | 2 | 100,00 | 200,00 | 100,00 | | 4,00 | 10,30 |
| R10119 | 19,00 | 26,00 | 1 | 150,00 | 150,00 | | | 4,00 | 10,30 |
| R10119/E | 19,00 | 27,00 | 1 | 100,00 | 200,00 | | | 4,00 | 10,30 |
| R10119/F | 19,00 | 27,00 | 2 | 110,00 | 220,00 | 110,00 | | 4,00 | 10,30 |
| R10119/G | 19,00 | 27,00 | 3 | 110,00 | 110,00 | 110,00 | 110,00 | 4,00 | 10,30 |
| R10119/AR | 19,00 | 27,00 | 1 | 150,00 | 150,00 | | | 4,00 | 10,30 |
| R10120 | 20,00 | 28,00 | 1 | 150,00 | 150,00 | | | 3,00 | 10,30 |
| R10122 | 22,00 | 31,00 | 1 | 150,00 | 150,00 | | | 3,00 | 10,30 |
| R10125/A | 25,00 | 34,00 | 1 | 125,00 | 125,00 | | | 3,00 | 9,70 |
| R10125 | 25,00 | 34,00 | 1 | 150,00 | 150,00 | | | 3,00 | 9,70 |
| R10125/B | 25,00 | 35,00 | 1 | 100,00 | 100,00 | | | 3,00 | 9,70 |
| R10125/C | 25,00 | 35,00 | 1 | 180,00 | 90,00 | | | 3,00 | 9,70 |
| R10128 | 28,00 | 37,00 | 1 | 200,00 | 200,00 | | | 3,00 | 9,70 |
| R10128/A | 28,00 | 37,00 | 1 | 300,00 | 300,00 | | | 3,00 | 9,70 |

ELBOW HOSES (EPDM) R10100

| Part Number | Ø ID (mm) | Ø OD (mm) | Bend Quantity | Lenght A (mm) | Lenght B (mm) | Lenght C (mm) | Lenght D (mm) | WP max. (bar) | BP min. (bar) |
|-------------|-----------|-----------|---------------|---------------|---------------|---------------|---------------|---------------|---------------|
| R10130 | 30,00 | 39,00 | 1 | 200,00 | 200,00 | | | 3,00 | 9,70 |
| R10130/A | 30,00 | 39,00 | 1 | 300,00 | 300,00 | | | 3,00 | 9,70 |
| R10132/D | 32,00 | 41,00 | 1 | 150,00 | 150,00 | | | 3,00 | 9,00 |
| R10132 | 32,00 | 41,00 | 1 | 200,00 | 200,00 | | | 3,00 | 9,00 |
| R10132/A | 32,00 | 41,00 | 1 | 200,00 | 1000,00 | | | 3,00 | 9,00 |
| R10132/B | 32,00 | 41,00 | 1 | 200,00 | 650,00 | | | 3,00 | 9,00 |
| R10132/C | 32,00 | 41,00 | 1 | 300,00 | 300,00 | | | 3,00 | 9,00 |
| R10135/B | 35,00 | 44,00 | 1 | 150,00 | 150,00 | | | 3,00 | 9,00 |
| R10135/A | 35,00 | 44,00 | 1 | 200,00 | 200,00 | | | 3,00 | 9,00 |
| R10135 | 35,00 | 44,00 | 1 | 300,00 | 300,00 | | | 3,00 | 9,00 |
| R10138/C | 38,00 | 47,00 | 1 | 150,00 | 150,00 | | | 3,00 | 8,30 |
| R10138/A | 38,00 | 47,00 | 1 | 200,00 | 200,00 | | | 3,00 | 8,30 |
| R10138/B | 38,00 | 47,00 | 1 | 250,00 | 250,00 | | | 3,00 | 8,30 |
| R10138 | 38,00 | 47,00 | 1 | 300,00 | 300,00 | | | 3,00 | 8,30 |
| R10140/C | 40,00 | 49,00 | 1 | 135,00 | 135,00 | | | 2,00 | 8,30 |
| R10140/B | 40,00 | 49,00 | 1 | 150,00 | 150,00 | | | 2,00 | 8,30 |
| R10140/A | 40,00 | 49,00 | 1 | 200,00 | 200,00 | | | 2,00 | 8,30 |
| R10140 | 40,00 | 49,00 | 1 | 300,00 | 300,00 | | | 2,00 | 8,30 |
| R10145/B | 45,00 | 54,00 | 1 | 150,00 | 150,00 | | | 2,00 | 7,60 |
| R10145/A | 45,00 | 54,00 | 1 | 200,00 | 200,00 | | | 2,00 | 7,60 |
| R10145 | 45,00 | 54,00 | 1 | 300,00 | 300,00 | | | 2,00 | 7,60 |
| R10150/B | 50,00 | 59,00 | 1 | 90,00 | 90,00 | | | 2,00 | 7,60 |
| R10150/C | 50,00 | 59,00 | 1 | 125,00 | 125,00 | | | 2,00 | 7,60 |
| R10150/A | 50,00 | 59,00 | 1 | 200,00 | 200,00 | | | 2,00 | 7,60 |
| R10150 | 50,00 | 59,00 | 1 | 300,00 | 300,00 | | | 2,00 | 7,60 |
| R10151 | 51,00 | 60,00 | 1 | 150,00 | 150,00 | | | 2,00 | 6,90 |
| R10155/A | 55,00 | 64,00 | 1 | 200,00 | 200,00 | | | 2,00 | 6,90 |
| R10155 | 55,00 | 64,00 | 1 | 300,00 | 300,00 | | | 2,00 | 6,90 |
| R10160/B | 60,00 | 69,00 | 1 | 90,00 | 90,00 | | | 2,00 | 6,20 |
| R10160/C | 60,00 | 69,00 | 1 | 135,00 | 135,00 | | | 2,00 | 6,20 |
| R10160/A | 60,00 | 69,00 | 1 | 200,00 | 200,00 | | | 2,00 | 6,20 |
| R10160 | 60,00 | 69,00 | 1 | 300,00 | 300,00 | | | 1,50 | 6,20 |
| R10163 | 63,00 | 72,00 | 1 | 150,00 | 150,00 | | | 1,50 | 6,20 |
| R10165/A | 65,00 | 74,00 | 1 | 200,00 | 200,00 | | | 1,50 | 5,50 |
| R10165 | 65,00 | 74,00 | 1 | 300,00 | 300,00 | | | 1,50 | 5,50 |
| R10170/A | 70,00 | 79,00 | 1 | 200,00 | 200,00 | | | 1,50 | 4,80 |
| R10170 | 70,00 | 79,00 | 1 | 300,00 | 300,00 | | | 1,50 | 4,80 |
| R10175/B | 75,00 | 84,00 | 1 | 200,00 | 200,00 | | | 1,50 | 4,10 |
| R10175 | 75,00 | 84,00 | 1 | 300,00 | 300,00 | | | 1,50 | 4,10 |
| R10175/A | 75,00 | 84,00 | 1 | 500,00 | 500,00 | | | 1,50 | 4,10 |
| R10180/A* | 80,00 | 89,00 | 1 | 200,00 | 200,00 | | | 1,00 | 3,40 |
| R10180* | 80,00 | 89,00 | 1 | 300,00 | 300,00 | | | 1,00 | 3,40 |
| R10187/A* | 87,00 | 96,00 | 1 | 200,00 | 200,00 | | | 1,00 | 3,40 |
| R10187* | 87,00 | 96,00 | 1 | 300,00 | 300,00 | | | 1,00 | 2,70 |
| R10190* | 90,00 | 99,00 | 1 | 150,00 | 150,00 | | | 1,00 | 2,70 |
| R10193/A* | 93,00 | 102,00 | 1 | 200,00 | 200,00 | | | 1,00 | 2,70 |
| R10193* | 93,00 | 102,00 | 1 | 300,00 | 300,00 | | | 1,00 | 2,70 |
| R10102* | 102,00 | 111,00 | 1 | 150,00 | 150,00 | | | 1,00 | 2,70 |

Caution: Not suitable for Oil, Fuel or Brake Fluid applications.

STRAIGHT HOSES (EPDM) R10200

RAPRO General Purpose Straight Hose is manufactured from good quality heat, water and ozone resistant EPDM with polyester or aramid knitted reinforcement.



| | |
|---|--|
| Application General Purpose Cooling | Temperature Range (-40 °C) - (+125 °C) |
| Standard SAE J20 R4 D1 | Material EPDM / PET / EPDM or EPDM / AR / EPDM |
| Resistance Ozone, UV, Glycol, Water and Air | Branding RAPRO - ØIDxOD mm - EPDM - DATE |

| Part Number | Ø ID (mm) | Ø OD (mm) | Length (mm) | WP max. (bar) | BP min. (bar) |
|-------------|-----------|-----------|-------------|---------------|---------------|
| R10208 | 8,00 | 15,00 | 1.000 | 4,00 | 12,40 |
| R10210 | 10,00 | 17,00 | 1.000 | 4,00 | 12,40 |
| R10212 | 12,00 | 19,00 | 1.000 | 4,00 | 12,40 |
| R10215 | 15,00 | 22,00 | 1.000 | 4,00 | 11,70 |
| R10216 | 16,00 | 24,00 | 1.000 | 4,00 | 11,00 |
| R10218 | 18,00 | 26,00 | 1.000 | 4,00 | 11,00 |
| R10220 | 20,00 | 28,00 | 1.000 | 3,00 | 10,30 |
| R10222 | 22,00 | 30,00 | 1.000 | 3,00 | 10,30 |
| R10223 | 23,00 | 31,00 | 1.000 | 3,00 | 10,30 |
| R10225 | 25,00 | 33,00 | 1.000 | 3,00 | 9,70 |
| R10228 | 28,00 | 36,00 | 1.000 | 3,00 | 9,70 |
| R10230 | 30,00 | 38,00 | 1.000 | 3,00 | 9,70 |
| R10232 | 32,00 | 40,00 | 1.000 | 3,00 | 9,00 |
| R10235 | 35,00 | 43,00 | 1.000 | 3,00 | 9,00 |
| R10238 | 38,00 | 47,00 | 1.000 | 3,00 | 8,30 |
| R10240 | 40,00 | 49,00 | 1.000 | 2,00 | 8,30 |
| R10242 | 42,00 | 51,00 | 1.000 | 2,00 | 7,60 |
| R10245 | 45,00 | 54,00 | 1.000 | 2,00 | 7,60 |
| R10248 | 48,00 | 57,00 | 1.000 | 2,00 | 7,60 |
| R10250 | 50,00 | 60,00 | 1.000 | 2,00 | 7,60 |
| R10255 | 55,00 | 65,00 | 1.000 | 2,00 | 6,90 |
| R10260 | 60,00 | 70,00 | 1.000 | 1,50 | 6,20 |
| R10265 | 65,00 | 76,00 | 1.000 | 1,50 | 5,50 |
| R10270 | 70,00 | 81,00 | 1.000 | 1,50 | 4,80 |
| R10270/A | 70,00 | 82,00 | 1.000 | 1,50 | 4,80 |

Caution: Not suitable for Oil, Fuel or Brake Fluid applications.

SILICONE HOSES

Silicone out performs conventional, organic hose materials, maintaining performance and exibility over a wide temperature range, giving longer life and optimum reliability.

Meets or exceeds the requirements of SAE J20 R1 Class A.

What is Silicone Rubber?

Silicone rubber is a synthetic elastomer made from a cross-linked polymer that is reinforced with silica. As a result, silicone rubber has a number of chemical and mechanical properties that make it an extremely versatile material. Silicone rubber is:

- Colorless (translucent)
- Water resistant
- Chemical and oxidation resistant
- Inert
- Ozone and UV resistant
- Non-conductive
- Extremely stable at elevated temperatures

Because silicone rubber is stable not only at elevated temperatures but at low temperatures as well, many designers specify silicone hose for use in extreme-temperature applications, ranging from -85°C to 315°C. In particular, silicone hose surpasses the temperature capabilities of rubber hose.

SILICONE HOSE BENEFITS

Beyond effectively handling temperature extremes, silicone hose offers a number of additional benefits for designers and users:

LONG SERVICE-LIFE—products last longer, have improved performance over the long haul, and have lower maintenance and warranty costs.

FLEXIBILITY—many silicone hoses are quite flexible, and some are the ultimate in flexibility while retaining their shape, for installation in tight envelopes or around obstructions.

SMOOTH FINISHES IN BRIGHT COLORS—easy installation and attractive looking. Color coding is possible as well.

CAN BE MADE INTO COMPLEX SHAPES—silicone materials can be shaped to fit specific requirements, eliminating costly assemblies and assembly labor. Also eliminates potential leak paths.

LOW PERMEATION—to reduce or eliminate emissions, odors.

THE ONLY HOSE TYPE THAT CAN BE TRULY STERILIZED—to ensure purity of products being manufactured or processed.

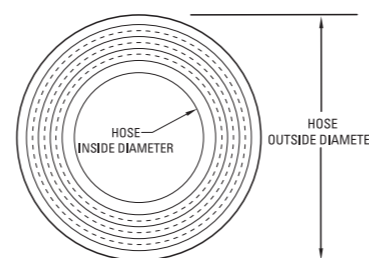
There is no better choice for today's trend in industry where there are applications surpassing the temperature capabilities of rubber hoses. Silicone rubber hose is the ultimate choice for those extreme-temperature applications.



STRAIGHT HOSES (SILICONE)

R10000

Rapro offers high quality standard length straight silicone hoses in 3 or 4 plies, in required colors such as Red, Blue, Black, Green or Yellow with Polyester or Nomex Reinforcements.



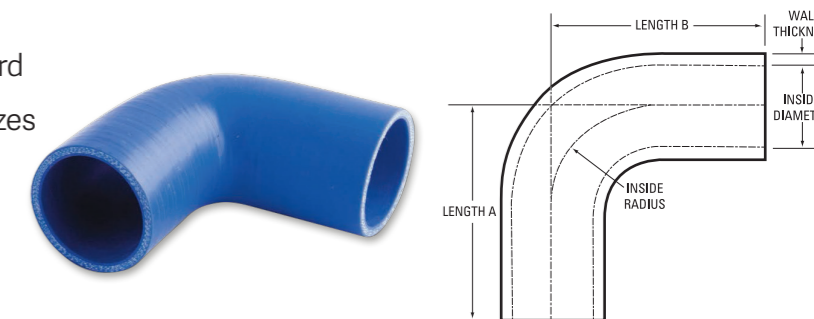
| | |
|--|---|
| Application Specially recommended for pressurized air or water conduction at high temperatures, can be used in vehicles and in the industrial sector | Temperature Range (- 40 °C) - (+ 180 °C) with peaks at 200 °C |
| Standard SAE J20 R1 CLASS A | Material VMQ with 3 or 4 ply Polyester or Nomex reinforcement |
| Resistance Ozone, UV, Glycol, Water and Air | Branding RAPRO - ØDixDo mm - VMQ - DATE |

| Part Number | Lenght (mm) | Ø ID (mm) | Ø OD (mm) | Plies | WP max. (bar) | BP min. (bar) | Ø OD (mm) | Plies | WP max. (bar) | BP min. (bar) |
|--------------|-------------|-----------|-----------|-------|---------------|---------------|-----------|-------|---------------|---------------|
| RAPRO | | | | | | | | | | |
| R10008 | 1.000 | 8,00 | 16,50 | 3 | 9,50 | 31,00 | 18,50 | 4 | 12,50 | 38,00 |
| R10010 | 1.000 | 10,00 | 18,50 | 3 | 9,50 | 31,00 | 20,50 | 4 | 12,50 | 38,00 |
| R10012 | 1.000 | 12,00 | 20,50 | 3 | 9,00 | 27,20 | 22,50 | 4 | 11,00 | 34,00 |
| R10013 | 1.000 | 13,00 | 21,50 | 3 | 9,00 | 27,20 | 23,50 | 4 | 11,00 | 34,00 |
| R10014 | 1.000 | 14,00 | 22,50 | 3 | 8,00 | 25,10 | 24,50 | 4 | 10,00 | 31,00 |
| R10015 | 1.000 | 15,00 | 23,50 | 3 | 8,00 | 25,10 | 25,50 | 4 | 10,00 | 31,00 |
| R10016 | 1.000 | 16,00 | 24,50 | 3 | 7,50 | 22,10 | 26,50 | 4 | 9,00 | 27,60 |
| R10018 | 1.000 | 18,00 | 26,50 | 3 | 6,50 | 19,50 | 28,50 | 4 | 8,00 | 24,40 |
| R10020 | 1.000 | 20,00 | 28,50 | 3 | 6,00 | 18,10 | 30,50 | 4 | 7,50 | 22,60 |
| R10022 | 1.000 | 22,00 | 30,50 | 3 | 5,50 | 16,70 | 32,50 | 4 | 6,80 | 20,80 |
| R10025 | 1.000 | 25,00 | 33,50 | 3 | 5,20 | 15,90 | 35,50 | 4 | 6,50 | 19,80 |
| R10028 | 1.000 | 28,00 | 36,50 | 3 | 5,00 | 15,10 | 38,50 | 4 | 6,10 | 18,60 |
| R10030 | 1.000 | 30,00 | 38,50 | 3 | 4,70 | 14,40 | 40,50 | 4 | 5,90 | 18,10 |
| R10031 | 1.000 | 31,00 | 39,50 | 3 | 4,70 | 14,40 | 41,50 | 4 | 5,90 | 18,10 |
| R10032 | 1.000 | 32,00 | 40,50 | 3 | 4,50 | 13,80 | 42,50 | 4 | 5,70 | 17,65 |
| R10035 | 1.000 | 35,00 | 43,50 | 3 | 4,50 | 13,80 | 45,50 | 4 | 5,60 | 17,40 |
| R10038 | 1.000 | 38,00 | 46,50 | 3 | 4,20 | 13,30 | 48,50 | 4 | 5,40 | 16,70 |
| R10040 | 1.000 | 40,00 | 48,50 | 3 | 4,10 | 12,90 | 50,50 | 4 | 5,20 | 16,20 |
| R10042 | 1.000 | 42,00 | 50,50 | 3 | 4,00 | 12,60 | 52,50 | 4 | 5,10 | 15,80 |
| R10045 | 1.000 | 45,00 | 53,50 | 3 | 3,80 | 12,40 | 55,50 | 4 | 5,00 | 15,50 |
| R10048 | 1.000 | 48,00 | 56,50 | 3 | 3,70 | 11,90 | 58,50 | 4 | 4,80 | 15,00 |
| R10050 | 1.000 | 50,00 | 58,50 | 3 | 3,60 | 11,50 | 60,50 | 4 | 4,60 | 14,50 |
| R10055 | 1.000 | 55,00 | 63,50 | 3 | 3,50 | 11,30 | 65,50 | 4 | 4,50 | 14,20 |
| R10060 | 1.000 | 60,00 | 68,50 | 3 | 3,40 | 11,00 | 70,50 | 4 | 4,40 | 13,80 |
| R10065 | 1.000 | 65,00 | 73,50 | 3 | 3,20 | 10,60 | 75,50 | 4 | 4,20 | 13,20 |
| R10070 | 1.000 | 70,00 | 78,50 | 3 | 3,00 | 9,80 | 80,50 | 4 | 4,00 | 12,50 |
| R10075 | 1.000 | 75,00 | 83,50 | 3 | 2,80 | 9,10 | 85,50 | 4 | 3,80 | 11,60 |
| R10078 | 1.000 | 78,00 | 86,50 | 3 | 2,60 | 8,50 | 88,50 | 4 | 3,50 | 10,90 |
| R10080 | 1.000 | 80,00 | 88,50 | 3 | 2,50 | 7,90 | 90,50 | 4 | 3,20 | 10,00 |
| R10085 | 1.000 | 85,00 | 93,50 | 3 | 2,20 | 7,10 | 95,50 | 4 | 3,00 | 9,00 |
| R10090 | 1.000 | 90,00 | 98,50 | 3 | 2,00 | 6,20 | 100,50 | 4 | 2,60 | 7,80 |
| R 10100 | 1.000 | 100,00 | 108,50 | 3 | 1,60 | 5,50 | 110,50 | 4 | 2,20 | 7,00 |

ELBOW HOSES (SILICONE)

R10100/S

Rapro Universal Elbow Silicone Line is suitable for many standard applications where high resistance to heat or oils is required. Sizes are not limited and can be increased according to customers requests.

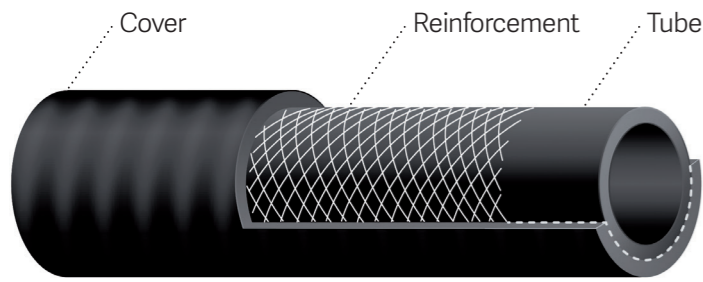


| | |
|--|---|
| Application Specially recommended for pressurized air or water conduction at high temperatures, can be used in vehicles and in the industrial sector | Temperature Range (- 40 °C) - (+ 180 °C) with peaks at 200 °C |
| Standard SAE J20 R1 CLASS A | Material VMQ with 3 or 4 ply Polyester or Nomex reinforcement |
| Resistance Ozone, UV, Glycol, Water and Air | Branding RAPRO - ØDixDo mm - VMQ - DATE |

| Part Number | Lenght A (mm) | Lenght B (mm) | Ø ID (mm) | Ø OD (mm) | Plies | WP max. (bar) | BP min. (bar) | Ø OD (mm) | Plies | WP max. (bar) | BP min. (bar) |
|--------------|---------------|---------------|-----------|-----------|-------|---------------|---------------|-----------|-------|---------------|---------------|
| RAPRO | | | | | | | | | | | |
| R10115/S | 150 | 150 | 15,00 | 23,50 | 3 | 7,00 | 21,50 | 25,50 | 4 ply | 8,80 | 26,80 |
| R10116/S | 150 | 150 | 16,00 | 24,50 | 3 | 6,80 | 21,00 | 26,50 | 4 ply | 8,60 | 26,20 |
| R10118/S | 150 | 150 | 18,00 | 26,50 | 3 | 6,30 | 19,00 | 28,50 | 4 ply | 7,80 | 23,70 |
| R10118/S/A | 180 | 180 | 18,00 | 26,50 | 3 | 6,30 | 19,00 | 28,50 | 4 ply | 7,80 | 23,70 |
| R10118/S/B | 220 | 220 | 18,00 | 26,50 | 3 | 6,30 | 19,00 | 28,50 | 4 ply | 7,80 | 23,70 |
| R10120/S | 150 | 150 | 20,00 | 28,50 | 3 | 5,90 | 18,00 | 30,50 | 4 ply | 7,40 | 22,50 |
| R10125/S | 150 | 150 | 25,00 | 33,50 | 3 | 5,00 | 15,00 | 35,50 | 4 ply | 6,10 | 18,60 |
| R10125/S/A | 220 | 220 | 25,00 | 33,50 | 3 | 5,00 | 15,00 | 35,50 | 4 ply | 6,10 | 18,60 |
| R10130/S | 150 | 150 | 30,00 | 38,50 | 3 | 4,60 | 13,80 | 40,50 | 4 ply | 5,60 | 17,20 |
| R10135/S | 150 | 150 | 35,00 | 43,50 | 3 | 4,40 | 13,50 | 45,50 | 4 ply | 5,50 | 16,70 |
| R10140/S | 150 | 150 | 40,00 | 48,50 | 3 | 4,10 | 12,50 | 50,50 | 4 ply | 5,20 | 15,60 |
| R10145/S | 150 | 150 | 45,00 | 53,50 | 3 | 4,00 | 12,00 | 55,50 | 4 ply | 5,00 | 15,10 |
| R10150/S | 150 | 150 | 50,00 | 58,50 | 3 | 3,60 | 11,00 | 60,50 | 4 ply | 4,50 | 13,80 |
| R10155/S | 150 | 150 | 55,00 | 63,50 | 3 | 3,50 | 10,80 | 65,50 | 4 ply | 4,30 | 13,50 |
| R10160/S | 150 | 150 | 60,00 | 68,50 | 3 | 3,40 | 10,50 | 70,50 | 4 ply | 4,10 | 13,20 |
| R10165/S | 150 | 150 | 65,00 | 73,50 | 3 | 3,20 | 10,20 | 75,50 | 4 ply | 4,00 | 12,80 |
| R10170/S | 150 | 150 | 70,00 | 78,50 | 3 | 3,10 | 9,50 | 80,50 | 4 ply | 3,80 | 12,10 |
| R10175/S | 150 | 150 | 75,00 | 83,50 | 3 | 3,00 | 9,00 | 85,50 | 4 ply | 3,50 | 11,40 |
| R10180/S | 150 | 150 | 80,00 | 88,50 | 3 | 2,60 | 7,70 | 90,50 | 4 ply | 3,10 | 9,70 |
| R10190/S | 150 | 150 | 90,00 | 98,50 | 3 | 2,00 | 6,00 | 100,50 | 4 ply | 2,50 | 7,50 |
| R10100/S | 150 | 150 | 100,00 | 108,50 | 3 | 1,60 | 5,20 | 110,50 | 4 ply | 2,00 | 6,60 |

BASIC HOSE CONSTRUCTION

For fluid transport and containment, hoses are essential.



Whether extruded or formed, homogeneous or reinforced, rubber hoses play an integral part in countless products from every sector of industry. Choosing the right hose for a given application requires some knowledge of how hoses are made and what their strengths are. Here's a brief review of hose anatomy:

Construction Elements

A hose is generally composed of three elements, each with an important role in the overall performance of that hose.

The three elements are:

The Tube must be compatible with and able to contain the media being conveyed. Many different materials are used for tube construction, depending upon the media the hose is designed to transmit.

The Reinforcement is the strength member of the hose. It enables the hose to withstand internal and external pressure and abuse. The reinforcement may be applied by several methods, and consists of synthetic yarns, wire or a combination of these. If suction or vacuum capability is a requirement, a helix wire may be part of the reinforcement.

The Cover protects the reinforcement from abuse or damage. The cover is usually a rubber compound selected for its resistance to the environment. Typical considerations in selecting a cover stock are the need to resist abrasion, ozone, weather and sunlight, chemical or oil spillage, etc.

Names and General Properties of RAPRO Hose Materials

| Common Name | ASTM Designation D1418-64 | Chemical Description | General Properties | Primary Hose Elements |
|-----------------------------|---------------------------|---------------------------------------|---|-----------------------|
| EPDM | EPDM | Ethylene Propylene Diene | Good general purpose polymer. Excellent heat, ozone and weather resistance. Not oil resistant. | Tube / Cover |
| Neoprene | CR | Chloroprene | Excellent weathering resistance. Good oil resistance. Good physical properties. | Tube / Cover |
| Nitrile | NBR | Nitrile-Butadiene | Excellent oil resistance. Good physical properties. | Tube / Cover |
| Poly Vinyl Chloride-Nitrile | PVC-NBR | Poly Vinyl Chloride-Nitrile-Butadiene | Good abrasion, chemical and weathering resistance. Lightweight. Poor oil and temperature resistance. | Tube / Cover, Tubing |
| Silicone | VMQ | Silicone Rubber | Generally resistant to oxidising chemicals, ozone, concentrated hydrogen; but attacked by many solvents and concentrated acids. | Tube / Cover |

HOSE SELECTION TIPS

Seven Easy Steps for Selecting the Proper Hose

An effective way to remember hose selection criteria is to remember the word...

S.T.A.M.P.E.D.- At RAPRO we strictly follow the STAMPED procedure to insure as best we can that we supply the correct hose for your application. In co-operation with our customers, by following STAMPED we endeavour to obtain the maximum information required to provide a quality hose assembly.

Several things must be known before the proper hose can be selected for any hose application. The acronym STAMPED stands for the 7 major information areas required to provide a quality hose assembly for the customer as follows:

1. Size

Refers to the overall dimensions of the hose required for your particular needs. You'll need to know the hose ID, OD and length. If assembled length is critical to the hose's application, you may need to determine overall assembled lengths (length including fittings).

hose. Certain rubber compounds are made to withstand particular media. For example, NITRILE is good for oil/petroleum-based products, and GUM is good for abrasives.

2. Temperature

Refers to the temperature of the application, which is an important factor, particularly how hot it is. Consider both internal (media and friction) and external (ozone and sunlight) temperatures. Most rubber compounds will naturally begin to break down as it approaches 200° Fahrenheit. There are specially blended rubber compounds that are made to withstand higher temperatures, such as EPDM and Viton.

5. Pressure

Refers to how much pressure is going through the system. Be aware of any spikes in pressure and allow for these drastic changes in the design and selection of your hose. It is equally important to be aware of the correlation between temperature and pressure. A hose cannot be used at its maximum rated working pressure and maximum rated temperature at the same time.

3. Application

Refers to the environment in which the hose is being used. Is there a direct exposure to sunlight? If so, your customer will need a hose that is made from a compound that has ozone resistance, such as EPDM. Is there direct exposure to oil or petroleum products? If so, your customer will need a hose that is made from a compound that has oil or aromatic resistance, such as NITRILE.

6. Ends

Refers to which fittings are needed and how they are to be attached to the hose. A hose assembly is rated for the lesser of the working pressure of the hose and the fittings.

4. Media

Refers to what product is running through the system. This parameter is important because the media will come in contact with the ID of the

7. Delivery (Volume and Velocity)

Testing, quality, packaging and delivery requirements.



RAPRO Kimya Turizm Biliřim San. ve Tic. A.ř.

Kemalpařa Organize Sanayi B6lgesi Ankara Asfaltı 26. Km

Kuyucak Yolu K6meevler Mevkii No: 226 35730 Kemalpařa, İzmir-T6RKİYE

T: +90 232 877 24 84 · F: +90 232 877 24 85 · E: raproinfo@gates.com.tr



READY TO GO WITH RAPRO